



RECOIL[®]

RC65/RC8

6.5" & 8" In-Wall/In-Ceiling Hi-Fi Speakers

High Performance Full Range Stereo Speaker System
with Magnetic Grills

User Manual

RECOIL IN-WALL/IN-CEILING HI-FI SPEAKERS

Thanks for purchasing Recoil In-Wall/In-Ceiling Hi-Fi Speakers for your system. Recoil has been bringing great designed and engineered audio products to life. We hope that the addition of these speakers to your audio system bring you a lot of enjoyment.

If you decide to install the speakers by yourself, please thoroughly read through this manual before getting started, so you make the process successful. This manual will familiarize you with the speakers; and how best to install them and guide you through the proper installation process and procedures.

If you require additional assistance contact support@recoilaudio.com

SUPPLIED HARDWARE/PARTS

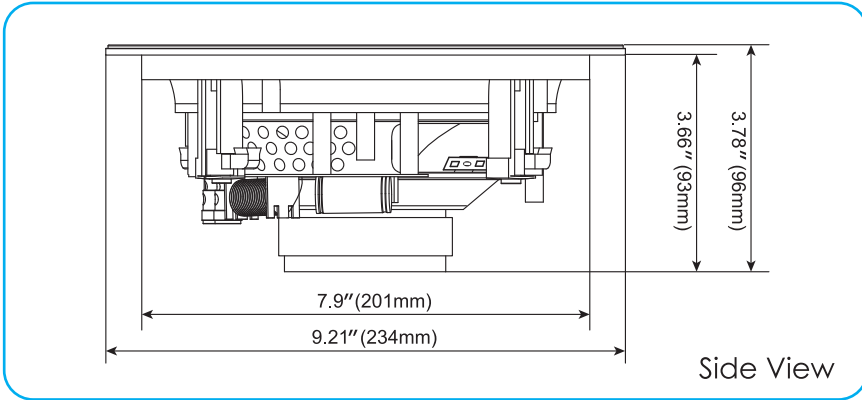
- 1 PC - RC65/RC8 Speaker
- 1 PC - Mounting Template
- 1 PC - User manual

SPECIFICATIONS:

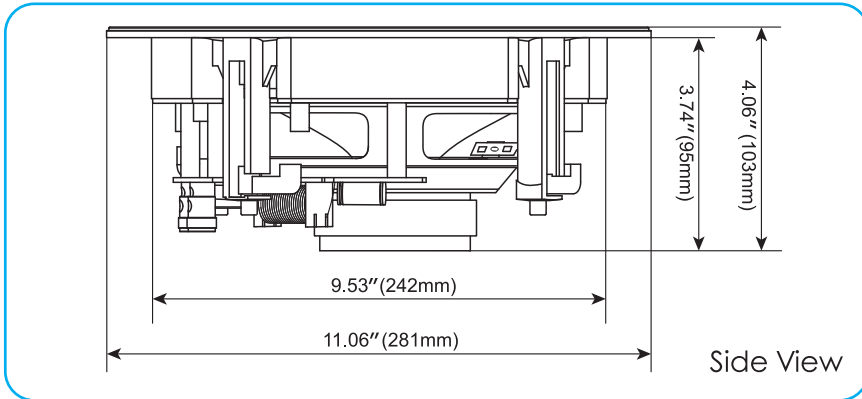
MODEL	RC65	RC8
Speaker Size	6.5" inch	8" inch
Power Output	60 Watt MAX	80 Watt MAX
Frequency Response	58Hz-20kHz	55Hz-20kHz
Sensitivity	87 +/- 3 dB @ 1M/1W	88 +/- 3 dB @ 1M/1W
Cut-out Diameter	201mm / 7.91"	242mm / 9.53"
Mounting Depth	93mm / 3.66"	95mm / 3.74"
Total Speaker Size (Diameter x Depth)	234mmx96mm 9.21" x 3.78" (Each)	281mmx103mm 11.06" x 4.06"(Each)

DIMENSIONS

RC65



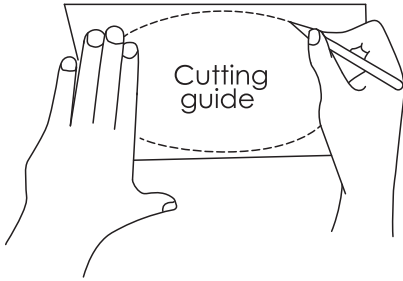
RC8



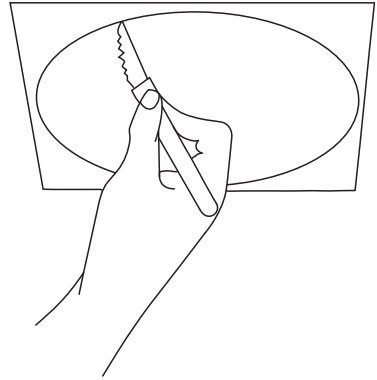
- Integrated Clamp-Type Mounting Brackets
- Quick Connect Spring-Loaded Speaker Terminals
- Environmentally Friendly ABS Construction
- Perfect for Custom Audio Applications
- Used for Home, Office & Business

SPEAKER INSTALLATION

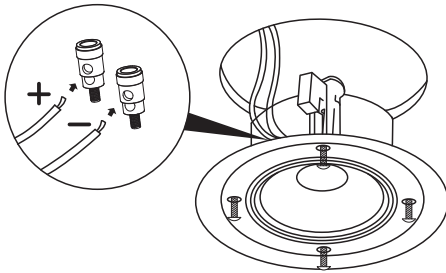
1



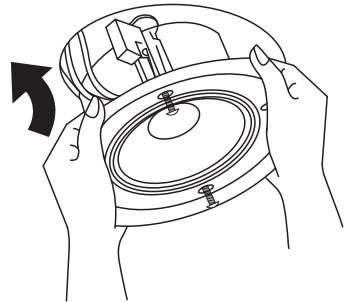
2



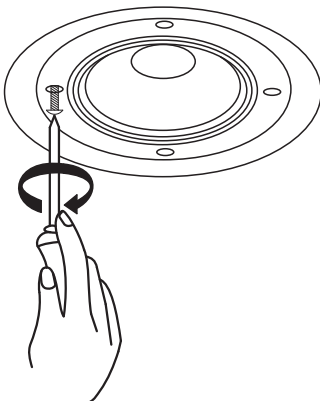
3



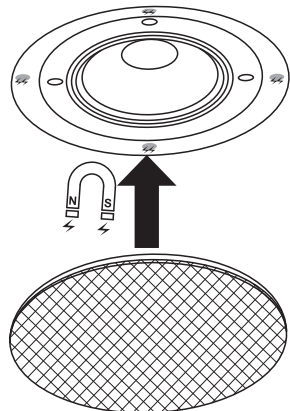
4



5



6



INSTALLATION CONSIDERATIONS:

1. Position the cutting guide against the required speaker placement and trace around.
2. Cut out the traced area using a pad saw or other suitable tool.
3. Take the speaker unit out of the packaging and remove the grille. Connect the speaker wire to the appropriate "+" and "-" connections (select the desired tapping for 100V units).
4. Locate the speaker unit into the cut-out, ensuring that the 4 rotating fixing clamps stay turned inward.
5. Once located, turning the 4 fixing screws clockwise will cause the fixing clamps to rotate outward and tighten onto the mounting surface.
6. Put the speaker grille onto speaker in place by magnetism.

Features:

- In-Wall / In-Ceiling Speaker System
- Universal Flush Mount for Any Flat Surface
- Flat & Thin, Slim-Style Removable Speaker Grill
- Convenient Magnetic Speaker Grill Quickly Attaches / Detaches
- High-Fidelity (Hi-Fi) Sound Processing Technology
- 2-Way Full Range Stereo Sound Reproduction
- Built-In Electronics Crossover Network
- Woven Glass Fiber Cone with Rubber Edge
- 1" High Compliance Silk Dome Tweeter



www.RecoilAudio.com

© 2022, all rights reserved. Recoil and its ® logo are registered trademarks of Ningbo AVS Industrial Company, Limited. All other trademarks are property of their respective owners. AVS Industrial assumes no responsibility or liability for damages incurred with the improper use of this product.