



## Recoil Red Storm Series 8" Midrange Speaker

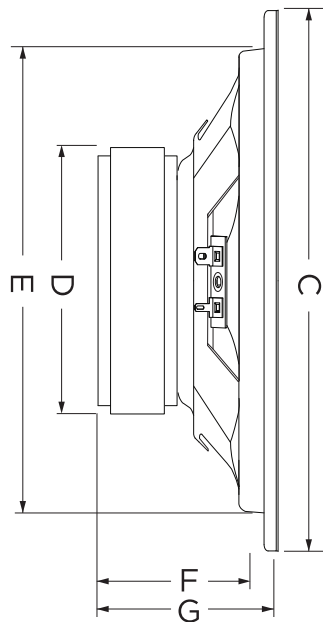
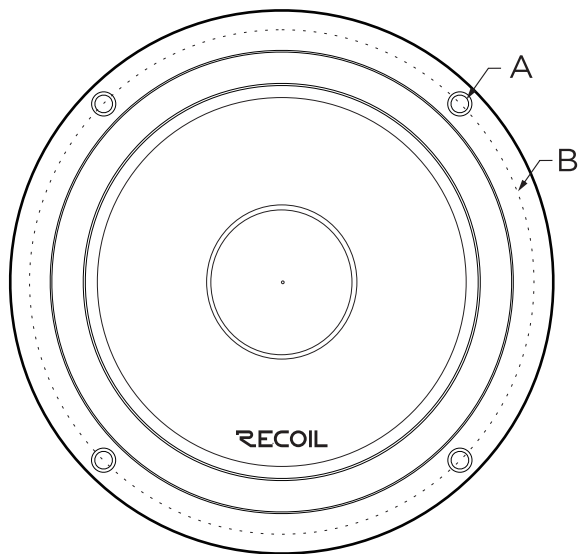
# User Manual

## INTRODUCTIONS

Congratulations on your purchase of our product! We hope RECOIL AUDIO will delight you with its impressive performance. In producing our speakers, we utilize high-quality components and cutting-edge materials. This manual contains essential instructions for proper system installation and use. Before installation, please carefully review all guidelines provided. Failure to follow these instructions may result in product damage or unintended malfunctions.

## SPECIFICATIONS

Size: 209mm (8")  
RMS Power : 150 W  
Max Power: 300 W  
Nominal Resistance (Ohm) : 4  $\Omega$   
Minimum Resistance (Ohm) : 3.3  $\Omega$   
Sensitivity (1W/M) : 92 dB(+/-3dB)  
Frequency Range: 90-5kHz  
Cone Material: Pressed Paper Fiber  
Suspension Material: Cloth  
Voice Coil Diameter: 38.5 mm (1.5")  
Coil Material: KSV  
Magnet Material : Ferrite(21OZ)



## T/S PARAMETERS

Fs 90 Hz  
 Re 3.3 ohm  
 Qes 1.22  
 Qms 9.47  
 Qts 1.08  
 Vas 17.11 L  
 Sd 213.8 cm<sup>2</sup>  
 X Max 1 mm  
 Mms 11.72 g  
 BI 4.21 Tm  
 No 0.97%  
 CMS 269.96 uM/N

## Dimension

Item	RM8-4P (mm)
A	4-φ5
B	φ200
C	φ209
D	φ100
E	φ180
F	61
G	67